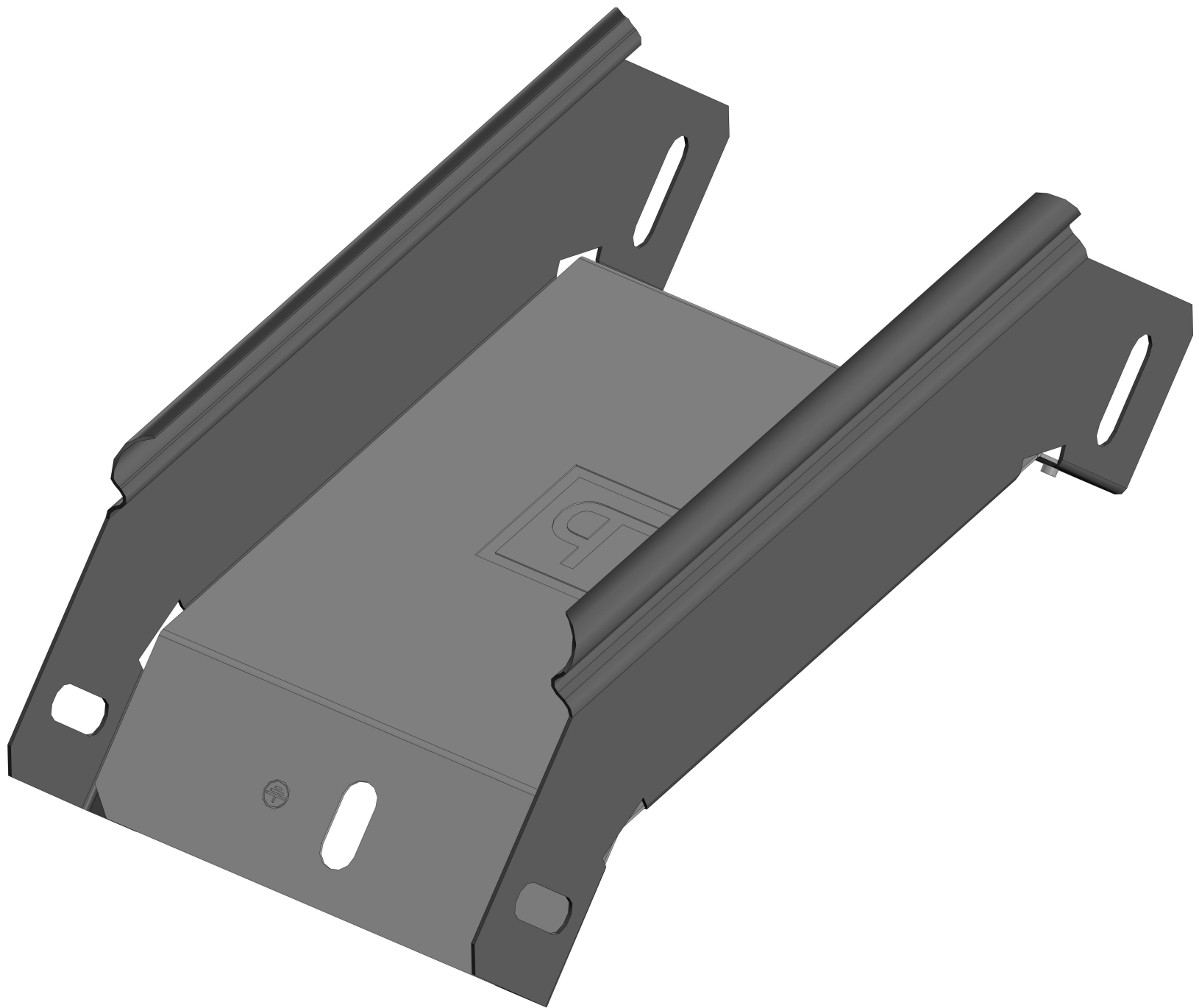
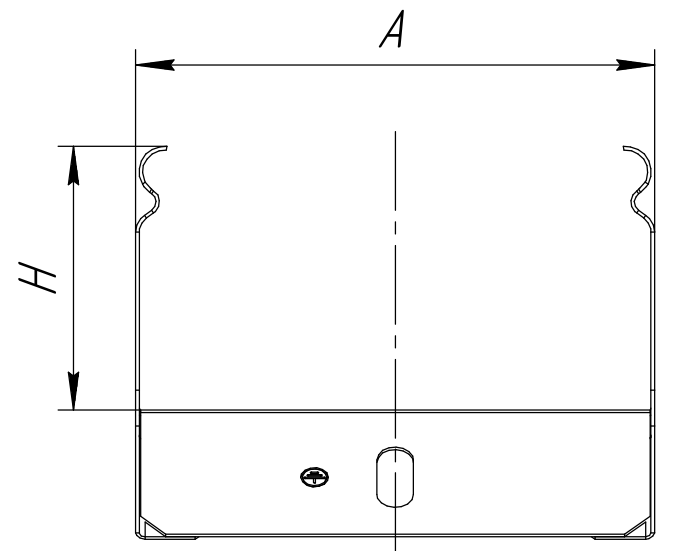
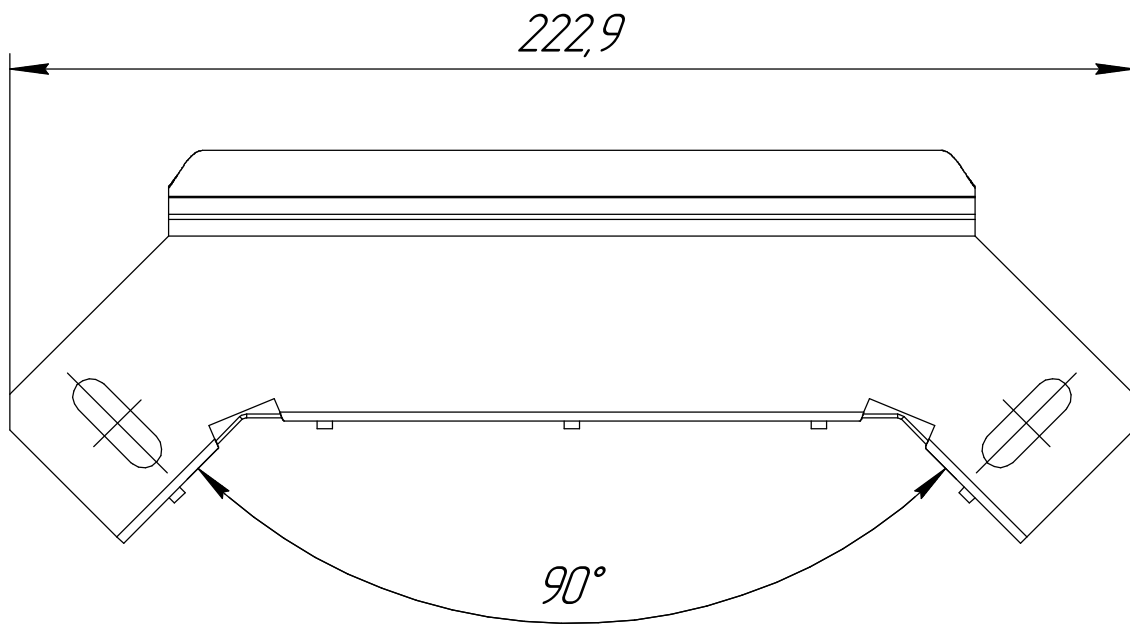
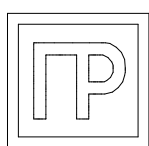


Промрукав  
Русский производитель электрики

## *Угол вертикальный внешний 90 Стандарт Промрукав*





ПромрукаВ

Русский производитель электротехники

<i>Типоразмер АxН, мм</i>	<i>Толщина s, мм</i>	<i>Артикул SZ</i>	<i>Артикул HDZ</i>	<i>Артикул AISI 304</i>	<i>Артикул AISI 316</i>	<i>Артикул AISI 409</i>	<i>Артикул RAL</i>	<i>Количество в упаковке, шт.</i>
50x50	0,7	PR16.11039	PR16.1611	PR16.2987	PR16.3017	PR16.3047	PR16.5278	1
100x50	0,7	PR16.11040	PR16.1594	PR16.2988	PR16.3018	PR16.3048	PR16.5279	1
100x80	0,7	PR16.11041	PR16.1595	PR16.2989	PR16.3019	PR16.3049	PR16.5280	1
100x100	0,7	PR16.11042	PR16.1593	PR16.2990	PR16.3020	PR16.3050	PR16.5281	1
150x50	0,7	PR16.11043	PR16.1597	PR16.2991	PR16.3021	PR16.3051	PR16.5282	1
150x80	0,7	PR16.11044	PR16.1598	PR16.2992	PR16.3022	PR16.3052	PR16.5283	1
150x100	0,7	PR16.11045	PR16.1596	PR16.2993	PR16.3023	PR16.3053	PR16.5284	1
200x50	0,7	PR16.11046	PR16.1600	PR16.2994	PR16.3024	PR16.3054	PR16.5285	1
200x80	0,7	PR16.11047	PR16.1601	PR16.2995	PR16.3025	PR16.3055	PR16.5286	1
200x100	0,7	PR16.11048	PR16.1599	PR16.2996	PR16.3026	PR16.3056	PR16.5287	1
300x50	0,8	PR16.11049	PR16.1603	PR16.2997	PR16.3027	PR16.3057	PR16.5288	1
300x80	0,8	PR16.11050	PR16.1604	PR16.2998	PR16.3028	PR16.3058	PR16.5289	1
300x100	0,8	PR16.11051	PR16.1602	PR16.2999	PR16.3029	PR16.3059	PR16.5290	1
400x50	0,8	PR16.11052	PR16.1606	PR16.3000	PR16.3030	PR16.3060	PR16.5291	1
400x80	0,8	PR16.11053	PR16.1607	PR16.3001	PR16.3031	PR16.3061	PR16.5292	1
400x100	0,8	PR16.11054	PR16.1605	PR16.3002	PR16.3032	PR16.3062	PR16.5293	1
500x50	0,8	PR16.11055	PR16.1609	PR16.3003	PR16.3033	PR16.3063	PR16.5294	1
500x80	0,8	PR16.11056	PR16.1610	PR16.3004	PR16.3034	PR16.3064	PR16.5295	1
500x100	0,8	PR16.11057	PR16.1608	PR16.3005	PR16.3035	PR16.3065	PR16.5296	1
600x50	0,8	PR16.11058	PR16.1613	PR16.3006	PR16.3036	PR16.3066	PR16.5297	1
600x80	0,8	PR16.11059	PR16.1614	PR16.3007	PR16.3037	PR16.3067	PR16.5298	1
600x100	0,8	PR16.11060	PR16.1612	PR16.3008	PR16.3038	PR16.3068	PR16.5299	1