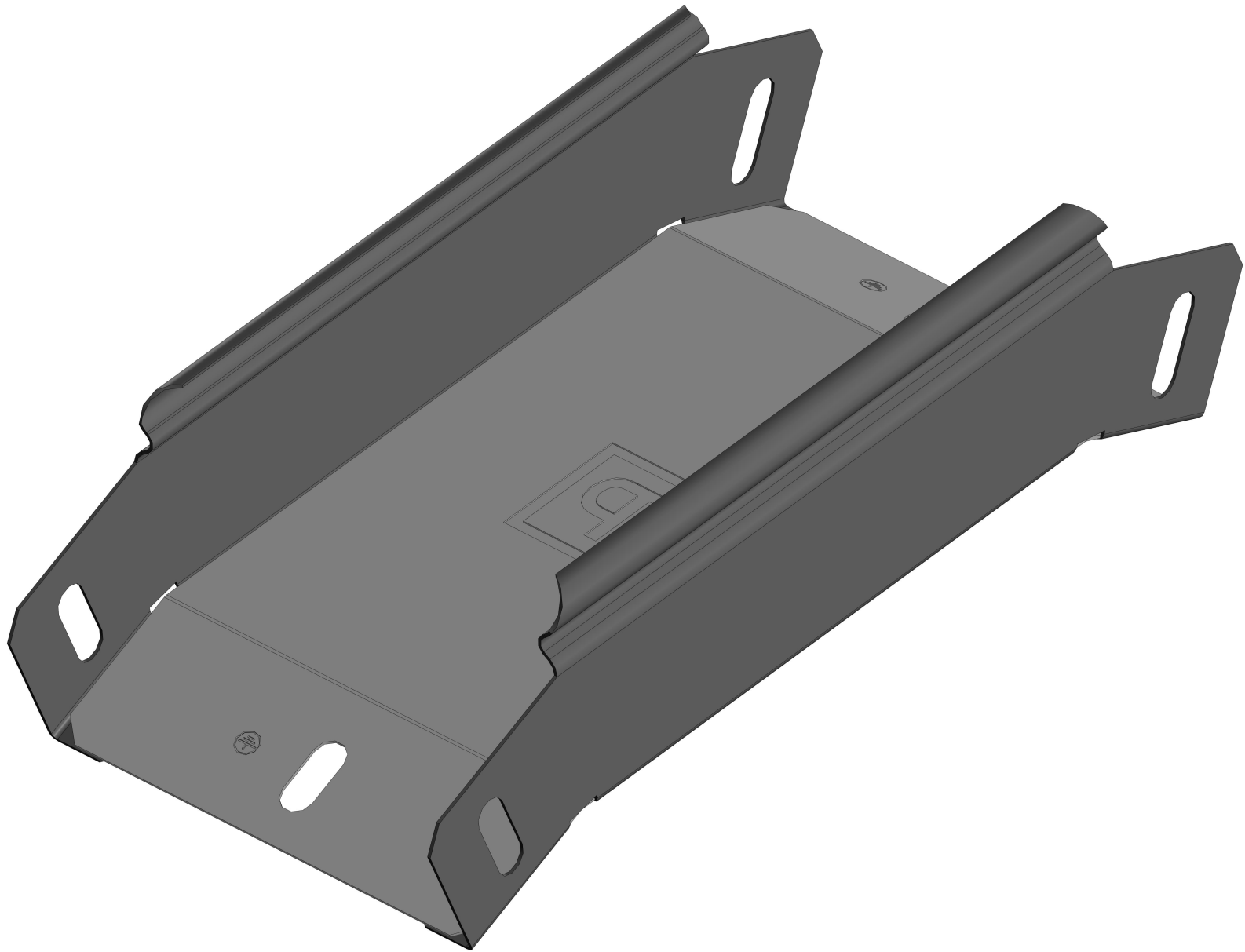
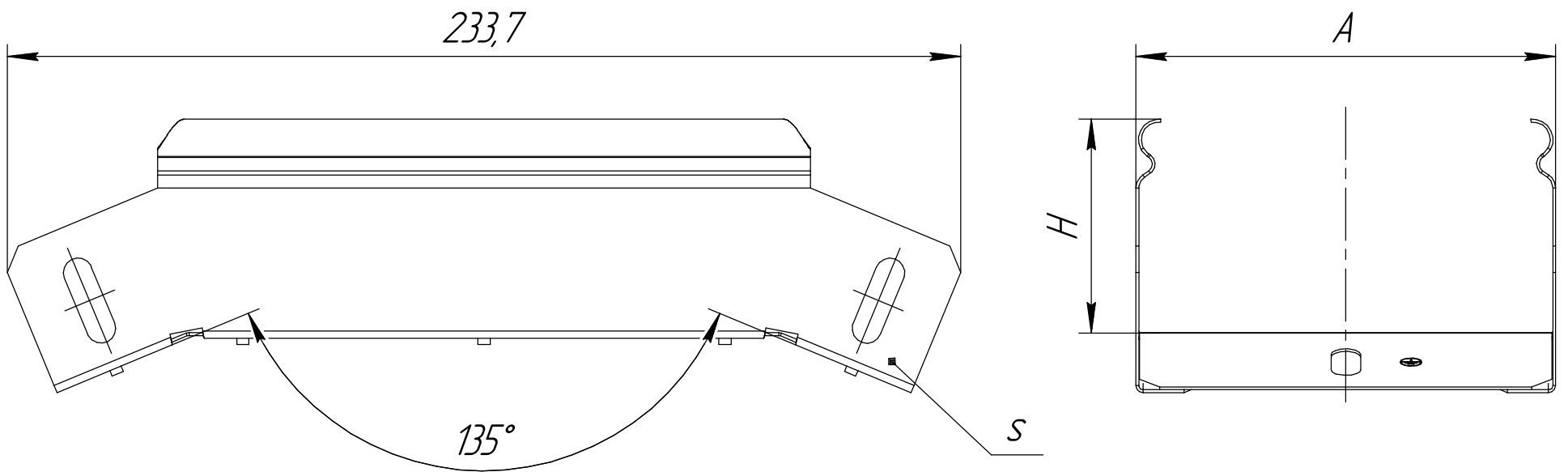
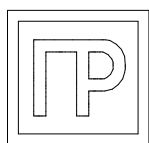


Промрукав
Русский производитель электрики

Угол вертикальный внешний 45 Стандарт Промрукав





ПромрукаВ

Русский производитель электрики

<i>Типоразмер АxН, мм</i>	<i>Толщина s, мм</i>	<i>Артикул SZ</i>	<i>Артикул HDZ</i>	<i>Артикул AISI 304</i>	<i>Артикул AISI 316</i>	<i>Артикул AISI 409</i>	<i>Артикул RAL</i>	<i>Количество в упаковке, шт.</i>
50x50	0,7	PR16.11009	PR16.1589	PR16.2897	PR16.2927	PR16.2957	PR16.5248	1
100x50	0,7	PR16.11010	PR16.1572	PR16.2898	PR16.2928	PR16.2958	PR16.5249	1
100x80	0,7	PR16.11011	PR16.1573	PR16.2899	PR16.2929	PR16.2959	PR16.5250	1
100x100	0,7	PR16.11012	PR16.1571	PR16.2900	PR16.2930	PR16.2960	PR16.5251	1
150x50	0,7	PR16.11013	PR16.1575	PR16.2901	PR16.2931	PR16.2961	PR16.5252	1
150x80	0,7	PR16.11014	PR16.1576	PR16.2902	PR16.2932	PR16.2962	PR16.5253	1
150x100	0,7	PR16.11015	PR16.1574	PR16.2903	PR16.2933	PR16.2963	PR16.5254	1
200x50	0,7	PR16.11016	PR16.1578	PR16.2904	PR16.2934	PR16.2964	PR16.5255	1
200x80	0,7	PR16.11017	PR16.1579	PR16.2905	PR16.2935	PR16.2965	PR16.5256	1
200x100	0,7	PR16.11018	PR16.1577	PR16.2906	PR16.2936	PR16.2966	PR16.5257	1
300x50	0,8	PR16.11019	PR16.1581	PR16.2907	PR16.2937	PR16.2967	PR16.5258	1
300x80	0,8	PR16.11020	PR16.1582	PR16.2908	PR16.2938	PR16.2968	PR16.5259	1
300x100	0,8	PR16.11021	PR16.1580	PR16.2909	PR16.2939	PR16.2969	PR16.5260	1
400x50	0,8	PR16.11022	PR16.1584	PR16.2910	PR16.2940	PR16.2970	PR16.5261	1
400x80	0,8	PR16.11023	PR16.1585	PR16.2911	PR16.2941	PR16.2971	PR16.5262	1
400x100	0,8	PR16.11024	PR16.1583	PR16.2912	PR16.2942	PR16.2972	PR16.5263	1
500x50	0,8	PR16.11025	PR16.1587	PR16.2913	PR16.2943	PR16.2973	PR16.5264	1
500x80	0,8	PR16.11026	PR16.1588	PR16.2914	PR16.2944	PR16.2974	PR16.5265	1
500x100	0,8	PR16.11027	PR16.1586	PR16.2915	PR16.2945	PR16.2975	PR16.5266	1
600x50	0,8	PR16.11028	PR16.1591	PR16.2916	PR16.2946	PR16.2976	PR16.5267	1
600x80	0,8	PR16.11029	PR16.1592	PR16.2917	PR16.2947	PR16.2977	PR16.5268	1
600x100	0,8	PR16.11030	PR16.1590	PR16.2918	PR16.2948	PR16.2978	PR16.5269	1